



3/4" Epoxy Sealed Snap Disc Thermostats

2570 SERIES

Quality-engineered 3/4" epoxy sealed snap disc thermostats specifically designed for a variety of applications, such as, HVAC and Food Equipment.

Senasys 2570 Series Thermostat is a unique patented thermostat package specifically design to be a high performance, low-cost thermostat suitable for extreme environmental conditions (-20°F up to 220°F).

The 2570 Series Epoxy Sealed Thermostat is manufactured with a high temperature ceramic insulated base encased in a protective nylon boot. Devices are sealed, have a comparative tracking index of +600 per UL 746A and IEC 112; water absorption of 0% and exceptional heat resistance.

Senasys 2570 Series Sealed Thermostats feature a patented metal sleeve rivet construction listed by many European approval agencies with 4mm over surface clearance current carrying parts to ground.

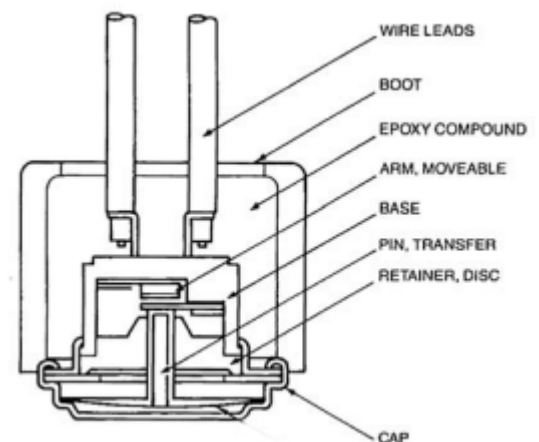
The 3/4" thermal element of the device with its fast response and sensitivity characteristics is processed to maintain close tolerances and narrow differential performance for extended life.

SENASYS 2570 Sealed Thermostats meet the latest revision of the MIL-STD-202 specification for humidity, moisture resistance, salt spray, freeze and thaw, and shock and vibration.

Devices are available with standard PVC leads and can be custom-designed to meet individual customer requirements.

To insure that a safe combination of thermostat and application is achieved, the purchaser must determine product suitability for their individual requirements.

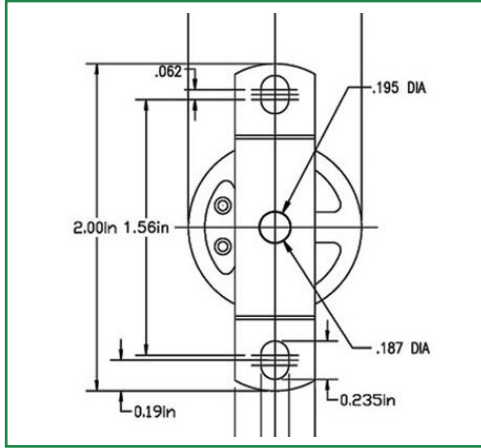
- Units Available For Limit And Control Applications
- Opens or Closes on Temperature Rise
- Automatic Reset
- Accurate Air And Surface Temperature Regulation
- Single-pole, single-throw (SPST) device
- Manufactured to individual temperature specifications within -20°F to 220°F (-25-80°C).
- Differential temperature range of 15 to 80°F (-9 to 25°C).
- Temperature calibrations are preset, and all units are subject to 100% mechanical and thermal inspection.
- Rated for 100,000+ cycles; 15 Amps @ 120VAC
- Available in a variety of mounting configurations, wire leads and other custom options to meet needs of original equipment manufacturers.
- Recognized by UL/cUL Approval Agencies



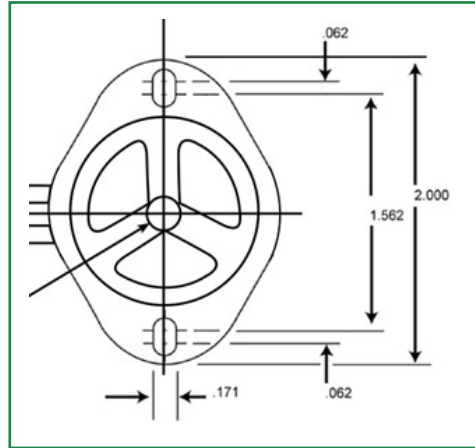
Flip for complete fact sheet. >>>

2570 Series Bracket Options

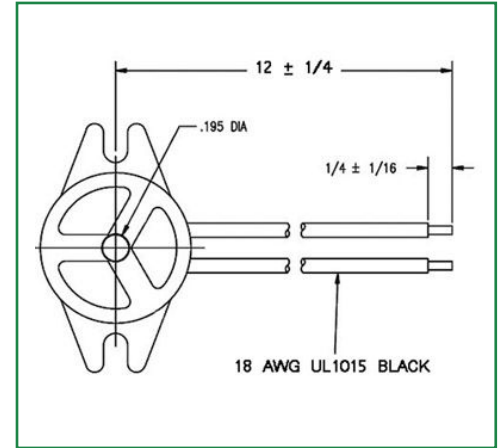
Small Flange with U-Clip



Large Flush Mount

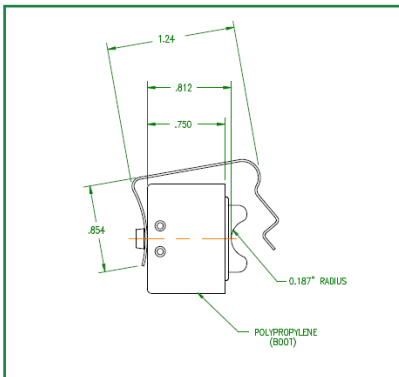


Notched Flush Mount

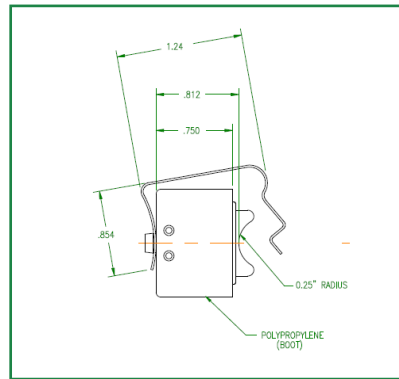


Pipe Mounts

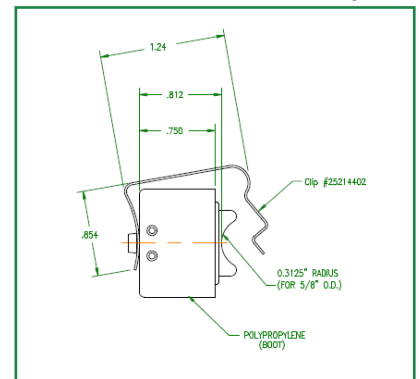
Diameter 0.375" with Clip



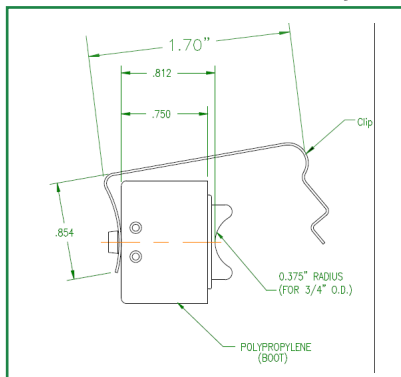
Diameter 0.500" with Clip



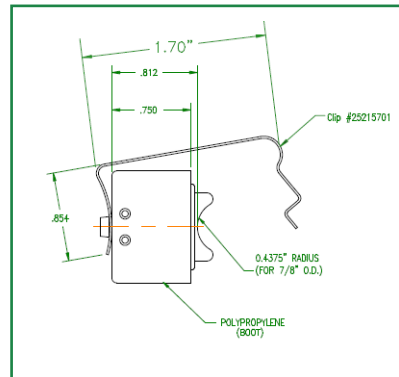
Diameter 0.625" with Clip



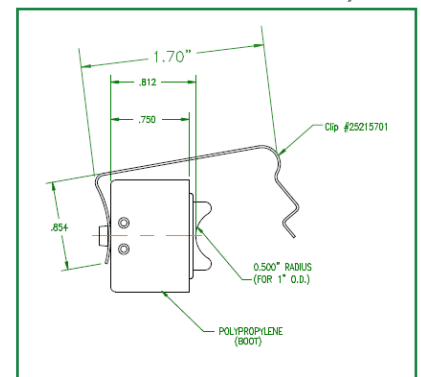
Diameter 0.750" with Clip



Diameter 0.875" with Clip



Diameter 1.00" with Clip



Senasys offers a variety of custom brackets such as tube (pipe) and stud mounts. If you have a requirement that is not shown here, please consult factory.

2570 Series Standard Temperature Options

Below are our standard temperature ranges, tolerances and differentials for our 2570 Series. Although we can provide tighter tolerances and differentials, along with special testing to meet application requirements. Please consult factory for more information. The "differential" is the number of degrees between the nominal open and nominal close. For example: A thermostat calibrated to open at 170°F ± 9°F has a 40°F temperature differential.

3/4" Epoxy Sealed Snap Disc Thermostats (2570 Series)			
Temperature Set Point Ranges	Tolerance		Mean Differential
If unit falls in overlapping range use higher range	Allowance [±] at temperature set points		Number of degrees between opening and closing nominal temperatures
	Open	Close	
-20°F to 80°F (-28°C to 26°C)	±5°F (±3°C)	±6°F (±3°C)	10 to 14°F (5 to 7°C)
	±5°F (±3°C)	±6°F (±3°C)	15 to 19°F (8° to 11°C)
	±5°F (±3°C)	±6°F (±3°C)	20 to 29°F (12 to 26°C)
	±5°F (±3°C)	±7°F (±4°C)	30 to 39°F (17 to 22°C)
	±5°F (±3°C)	±7°F (±4°C)	40 to 80°F (23 to 35°C)
81°F to 200°F (27°C to 93°C)	±5°F (±3°C)	±6°F (±3°C)	10 to 14°F (5 to 7°C)
	±5°F (±3°C)	±6°F (±3°C)	15 to 19°F (8° to 11°C)
	±5°F (±3°C)	±7°F (±4°C)	20 to 29°F (12 to 26°C)
	±6°F (±3°C)	±8°F (±4°C)	30 to 39°F (17 to 22°C)
	±7°F (±4°C)	±9°F (±5°C)	40 to 80°F (23 to 35°C)
201°F to 221°F (93°C to 105°C)	±5°F (±3°C)	±7°F (±4°C)	15 to 19°F (8° to 11°C)
	±5°F (±3°C)	±7°F (±4°C)	20 to 29°F (12 to 26°C)
	±6°F (±3°C)	±8°F (±4°C)	30 to 39°F (17 to 22°C)
	±7°F (±4°C)	±9°F (±5°C)	40 to 59°F (23 to 35°C)

Electrical Ratings

Recognized under UL file number SA11083.

MODEL	CYCLES	120VAC	240VAC
2570	100,000	15 Amp Res	8.3 Amps Res
	100,000	4.4 FLA 26.4 LRA	2.2 FLA 13.2 LRA
	100,000	125 VA Pilot Duty	125 VA Pilot Duty



2570 Series Standard Nomenclature

Determine your part number from our standard list of options below. Consult factory for other custom options such as wire leads, special brackets, etc.

3/4" Epoxy Sealed Snap Disc Thermostats (2511 Series)		Nomenclature & Standard Product Options							
Series	Function	Body Index			-	Temp Code	Example		
2570	X	Choose a bracket & wire to determine body index.			XXX	-	####	=	2570F108-618
		Cap/Bracket	Wire Leads						
3/4" Automatic Reset Snap Disc Thermostat, Single-pole, Single-throw (SPST)	Open on Temperature Rise (L)	Small Flange with U-Clip	12" 18AWG	108	-	Consult factory for temperature code.			3/4" Epoxy Sealed Snap Disc Thermostat, Closes on Temperature Rise, Small Flange (B501) Bracket with 12" 18AWG Wire Leads, Close at 45°F (±5°F), Open at 34°F (±5°F).
			72" 18AWG	430					
		Large Flush Mount	12" 18AWG	334					
			72" 18AWG	427					
		Notched Flush Mount	12" 18AWG	068					
			72" 18AWG	438					
	0.375" Pipe Mount with Clip	12" 18AWG	164						
		72" 18AWG	439						
	0.500" Pipe Mount with Clip	12" 18AWG	110						
		72" 18AWG	440						
	Close on Temperature Rise (F)	0.625" Pipe Mount with Clip	12" 18AWG	351					
			72" 18AWG	441					
		0.750" Pipe Mount with Clip	12" 18AWG	099					
			72" 18AWG	442					
0.875" Pipe Mount with Clip	12" 18AWG	113							
	72" 18AWG	443							
1.00" Pipe Mount with Clip	12" 18AWG	211							
	72" 18AWG	444							