



▶ 3/4" Adjustable Snap Disc Thermostats **KST SERIES**

Quality engineered 3/4" adjustable snap disc thermal sensors designed for a variety of applications, such as heating systems and appliances.

Senasys Adjustable Snap Disc Thermostats are quality engineered thermal sensors specifically for a variety applications including heating systems and appliances. Senasys KST series feature adjustable fan or limit operation through our bi-metal disc design, giving users the ability to adjust the operating temperature within an approximate temperature range.

To ensure that a safe combination of thermostat and application is achieved, the purchaser must determine product suitability for their individual requirements.

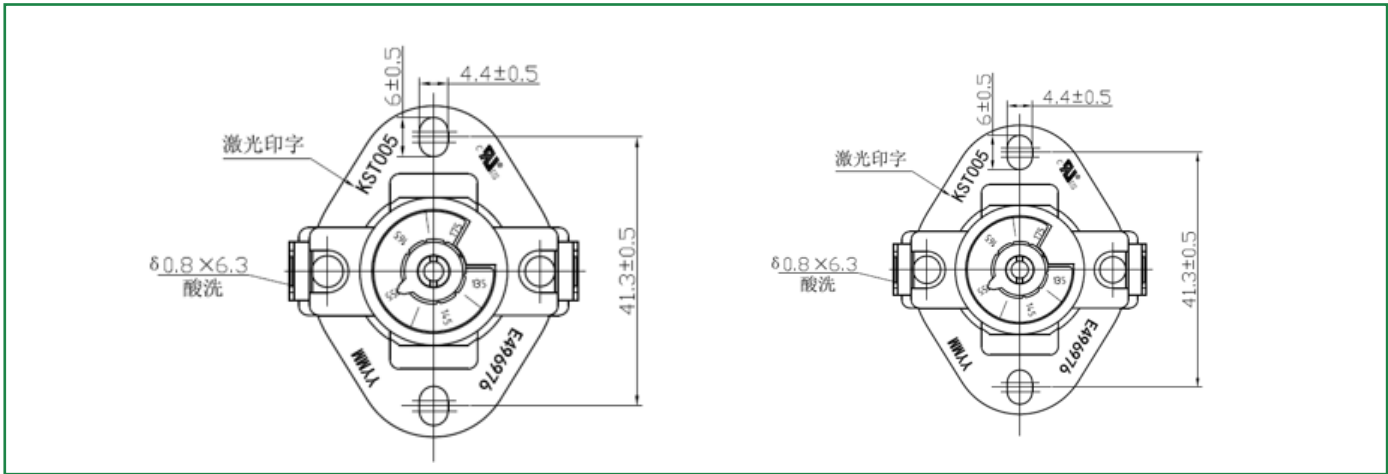
- Units available for limit and control applications
- Accurate air temperature regulation
- Adjustable dial knob gives end user control over opening/closing temperature
- Accurate Air And Surface Temperature Regulation
- Snap-action bimetal disc for high-speed contact separation
- Welded construction for integrity of current-carrying components.
- Enclosed or exposed disc options available.
- Single-pole, single-throw (SPST) models available.
- Can be used in high current applications, carrying up to 25 amps at 277VAC for over 100,000 cycles.
- Temperature ranges between 90°F and 290°F available (32°C to 140°C)
- 20°F to 40° (0°C to 4°C) Temperature Differential
- Temperature calibrations are preset, and all units are subject to 100% mechanical and thermal inspection.
- Available in a variety of terminal and mounting configurations, and other custom options to meet needs of original equipment manufacturers.
- Recognized by UL/cUL

Flip for complete fact sheet. >>>

Adjustable Snap Disc Thermostat Dimensions

Our standard adjustable snap disc thermostats are 1/4" quick-connect terminals with 90° terminal bend and 90° orientation. Other terminal options, custom bends and orientations are available. Please consult factory for more information.

Additionally, we offer a variety of custom brackets. If you have a requirement that is not shown here, please consult factory.



Adjustable Snap Disc Thermostat Standard Options

Below are our standard temperature ranges, tolerances and differentials for our KST Series. Although we can provide tighter tolerances and differentials, along with special testing to meet application requirements. Please consult factory for more information. The "differential" is the number of degrees between the nominal open and nominal close. For example: A thermostat calibrated to open at 170°F ± 9°F has a 40°F temperature differential.

Our standard units use are enclosed. Exposed disc options are available to meet a faster response time. Please consult factory.

3/4" Adjustable Snap Disc Thermostats (KST Series)			
Part Number	Adjustable Temperature Range (°F)	Differential (°F)	Switch Type
	If unit falls in overlapping range use higher range	Number of degrees between opening and closing nominal temperatures	
KST005-1	90 to 130	20	Close on Rise
KST005-2	100 to 140	20	Close on Rise
KST005-3	140 to 180	20	Close on Rise
KST005-4	135 to 175	20	Open on Rise
KST005-5	135 to 175	40	Open on Rise
KST005-6	175 to 215	40	Open on Rise
KST005-7	210 to 250	40	Open on Rise
KST005-8	250 to 290	40	Open on Rise