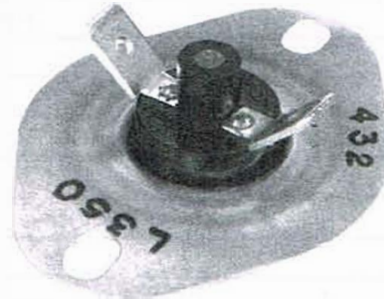


## 432 Manual Reset 1/2" Snap Disc Thermostats



432 Models shown with X-Large Extended Cup Mounting and 45° angled 1/4" Quick Connect terminals..

### Product Data

The 432 series is our 1/2" manual reset snap disc. This series is ideally suited for applications where you want to call special attention to a specific temperature malfunction that may require a service call.

The 432 thermostats use a bimetal disc for snap action, providing positive and instantaneous opening of the electric circuit.

The 432 series can be used as a safety limit that will break on temperature rise. Once tripped, the thermostat can be reset once the temperature has dropped a minimum of 25°F. The reset differential will increase as the specified break temperature increases. The minimum reset temperature is 75°F (24°C). Temperature ranges of 100°F-350°F (37°C-176°C) are available. Consult factory for applications below 100°F (37°C).

### 432 Features:

Size/Type:	3/4" Manual Reset
Switch Action:	SPST
Control Options:	Break on Rise
Resistive Load:	8.7-15 Amps
Inductive FLA	2.9-5.8 Amps
Inductive LRA	17.4-34.8 Amps
Temp. Range:	100-350°F
Differential range:	25°F Minimum
Open Tolerances:	+/- 8°F - +/-12°F
Cycle Ratings:	6,000 @ 120VAC
UL File #s:	E46315
CSA File #:	12619

### Additional Options:

Bimetal Exposure:	Enclosed or Exposed
Terminals:	Barrel Solder, Solder, Offset Eyelet, Long Strap, Flat Eyelet, 1/4" QC or 3/16" QC.
Mounting Options	None, Loose Hold Down, Surface Mount, Large Surface Mount, Extended Cup, X-Large Extended Cup, Threaded Stud, NPT Stud, or Pipe Mount.

Mounting and Terminal Options Illustrated on pages 39 & 40.

# 432 Manual Reset 1/2" Snap Disc Thermostats

## 432 Temperature Range - Tolerance Chart

Temperature °F Range	Open °F Tolerance	Temperature °C Range	Open °C Tolerance
100-200	+/-8	38-93	+/-4
201-250	+/-10	94-121	+/-6
251-350	+/-12	122-177	+/-7

Allow an additional 2 degrees greater than specified for inspection due to differences in methods and equipment.

## Electrical Ratings

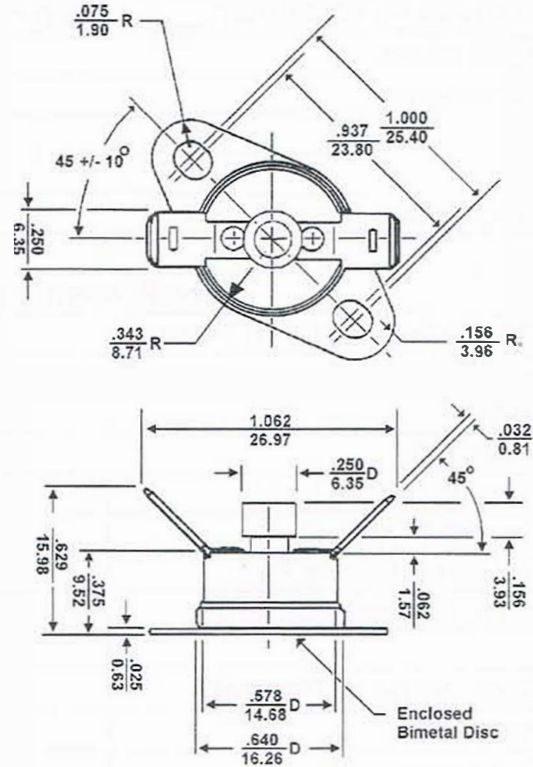
Load	120 VAC	240 VAC	277 VAC
Resistive	15 Amps	10 Amps	8.7 Amps
Inductive	5.8 FLA 34.8 LRA	2.9 FLA 17.4 LRA	N/A
Pilot Duty	125 VA	125 VA	125 VA
Millivolt	125 VA Pilot Duty, 120-277 VAC .5A Resistive		24VDC

The 432 is rated for 6,000 cycles at the above voltages and currents.

## Approvals

Agency	File #'s
UL	E46315
C.S.A.	12619
C.S.A. International	165698-10280063

432 Model Dimensional Drawing:  
Shown with Surface Mount, and 45° angled 1/4" Quick Connect Terminals. See 430 type, pages 39 and 40 for additional mounting and terminal options.



All dimension are inches/millimeters

# 432 Manual Reset 1/2" Snap Disc Quote Request Form

Customer: \_\_\_\_\_ QR#: \_\_\_\_\_  
 Attn: \_\_\_\_\_ Date: \_\_\_\_\_  
 Address \_\_\_\_\_ Cust#: \_\_\_\_\_  
 City \_\_\_\_\_ State: \_\_\_\_\_ Zip: \_\_\_\_\_  
 Tel: \_\_\_\_\_ Fax: \_\_\_\_\_  
 Email: \_\_\_\_\_  
 Salesman: \_\_\_\_\_ Agency #: \_\_\_\_\_  
 Send Quote to: Customer: \_\_\_\_\_ Rep Agency \_\_\_\_\_ (Check one or both)

Application: \_\_\_\_\_  
 Comments: \_\_\_\_\_  
 \_\_\_\_\_  
 \_\_\_\_\_

Est. Yearly Qty: \_\_\_\_\_ Target Cost: \_\_\_\_\_

## Specifications: Please Fill Out Completely

Load/Operation: Refer to Page 47		Mounting Brackets: Refer to Page 39	
Voltage		No Mount	
AC or DC		Surface Mount *	
Current (Amps)		Large Surface Mount *	
Inductive or Resistive Load		Extended Cup*	
Open Temperature		X-Large Extended Cup*	
Break on Temp Rise or Fall.		* Indicate position of mounting holes in relationship to terminals. Position "2" indicates that the holes are at a 45° angle. Position "3"= 90° angle. Position "4"= 135° angle. See drawings on page 39.	
Exposed or Enclosed Bimetal			
<b>Terminals: Refer to Page 40</b>			
Flat Eyelet		Loose Hold Down (refer to Page 39, select below)	
Long Strap		LHD A=.937", B=.125", C=.104"	
Offset Eyelet		LHD A=.937", B=.125", C=.145"	
Solder		LHD A=1.250", B=.187", C=.190"	
3/16" QC Vertical		Threaded Stud Mount #6-32	
3/16" QC Horizontal		Threaded Stud Mount M5-0.8(metric)	
3/16" QC 45°		Threaded Stud Mount #8-24	
1/4" QC Vertical		NPT Stud Mount 1/8-27 NPT	
1/4" QC Horizontal		NPT Stud Mount 1/4-18 NPT	
1/4" QC 45°		NPT Stud Mount 3/8-18 NPT	
Barrel Solder		Pipe Mount 3/16"	
Wire Crip		Pipe Mount 3/8"	
		Pipe Mount 1/2"	
<b>Approvals</b>		Pipe Mount 5/8"	
UL		Pipe Mount 7/8"	
CSA		Pipe Mount 9/8"	
CSA International			

Please fax or e-mail this form to the attention of Customer Service.